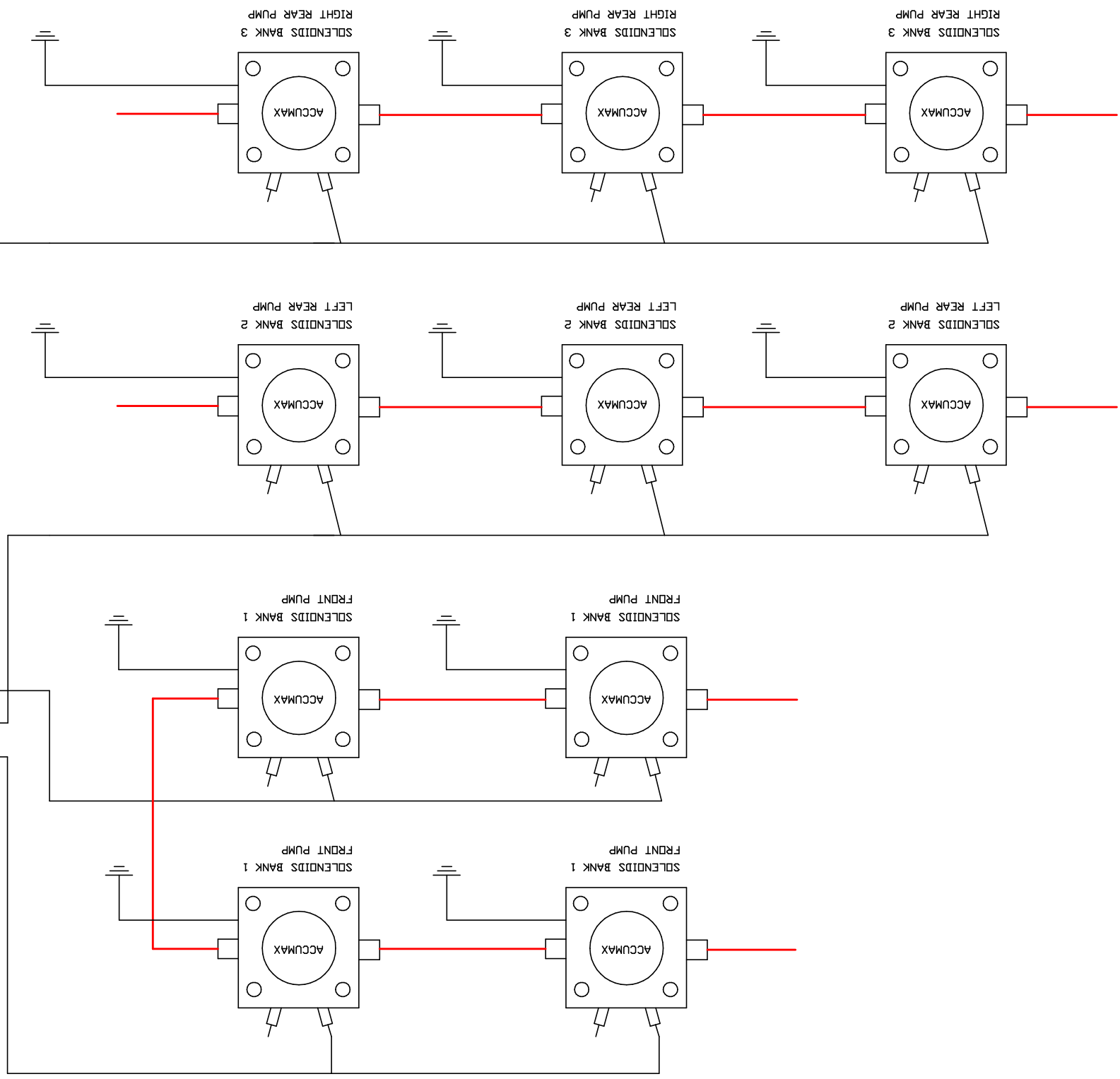


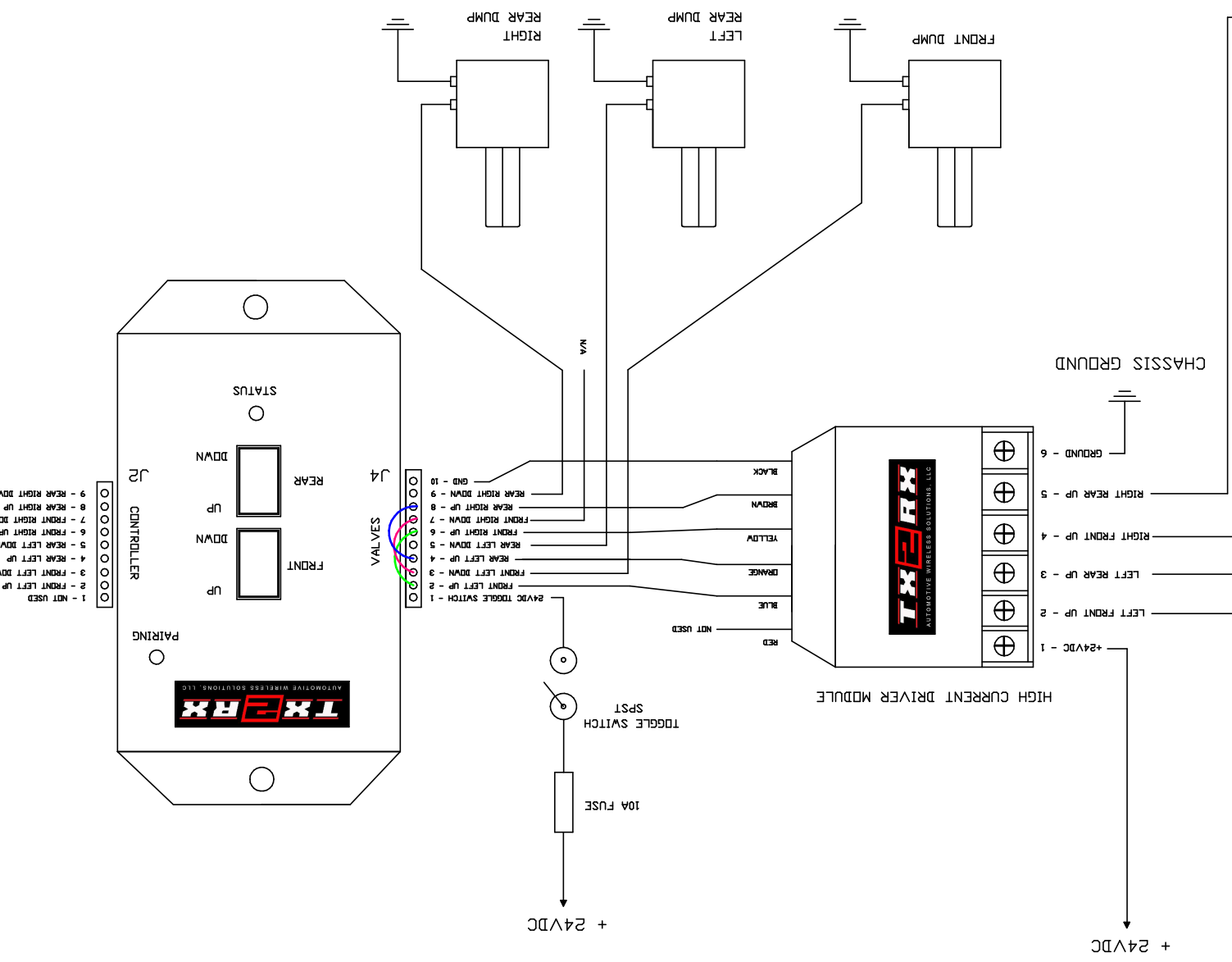
3 PUMP - 3 DUMP, PISTON PUMP SETUP

HOPPER STANDARD SETUP  
TX2RX AUTOMOTIVE WIRELESS SOLUTIONS



WIRING DIAGRAM NOTES:

2 AND 6 TOGETHER (FRONT UP)	ALLOWS USE OF BOTH FRONT UP REMOTE BUTTONS
3 AND 7 TOGETHER (FRONT DOWN)	ALLOWS USE OF BOTH FRONT DOWN REMOTE BUTTONS
4 AND 8 TOGETHER (REAR UP)	ALLOWS USE OF BOTH REAR UP REMOTE BUTTONS
NOTE * FRONT PUMP SOLENOIDS (<4>) DIVIDED INTO 2, MAX 3 SOLENOIDS PER CHANNEL	
JUMPER PINS ARE NOT REQUIRED, IT ALLOWS EITHER LEFT OR RIGHT REMOTE BUTTONS TO OPERATE.	



- J2 CONTROLLER
- 1 - NOT USED
  - 2 - FRONT LEFT UP
  - 3 - FRONT LEFT DOWN
  - 4 - REAR LEFT UP
  - 5 - REAR LEFT DOWN
  - 6 - FRONT RIGHT UP
  - 7 - FRONT RIGHT DOWN
  - 8 - REAR RIGHT UP
  - 9 - REAR RIGHT DOWN